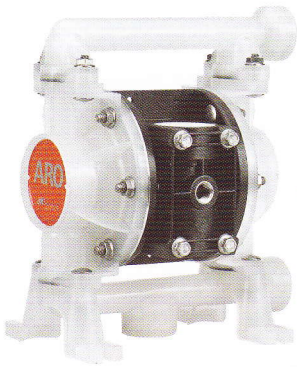




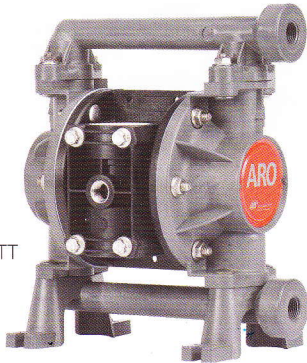
**EXPERT
Series**

3/8"
40.1 l/min

3/8" Non-metallic Diaphragm Pump
Pompe non-métallique à membranes 3/8"
Bomba no metálica de membrana, 3/8"
Pompa non metallica a membrana da 3/8"

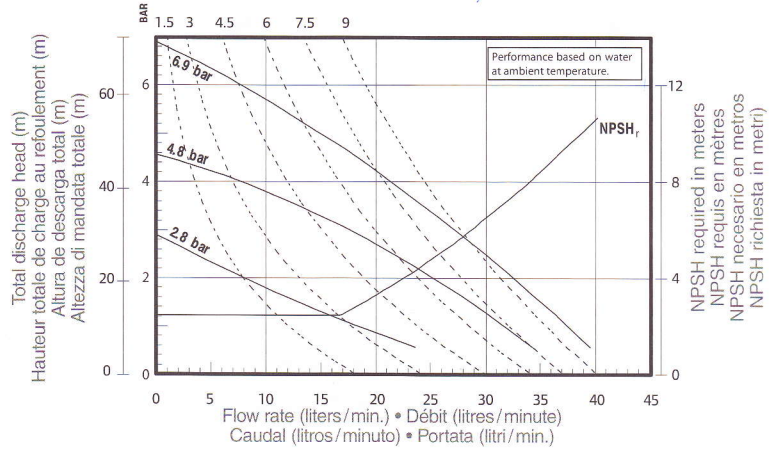


PD03P-BPS-PCC



PD03P-BDS-DTT

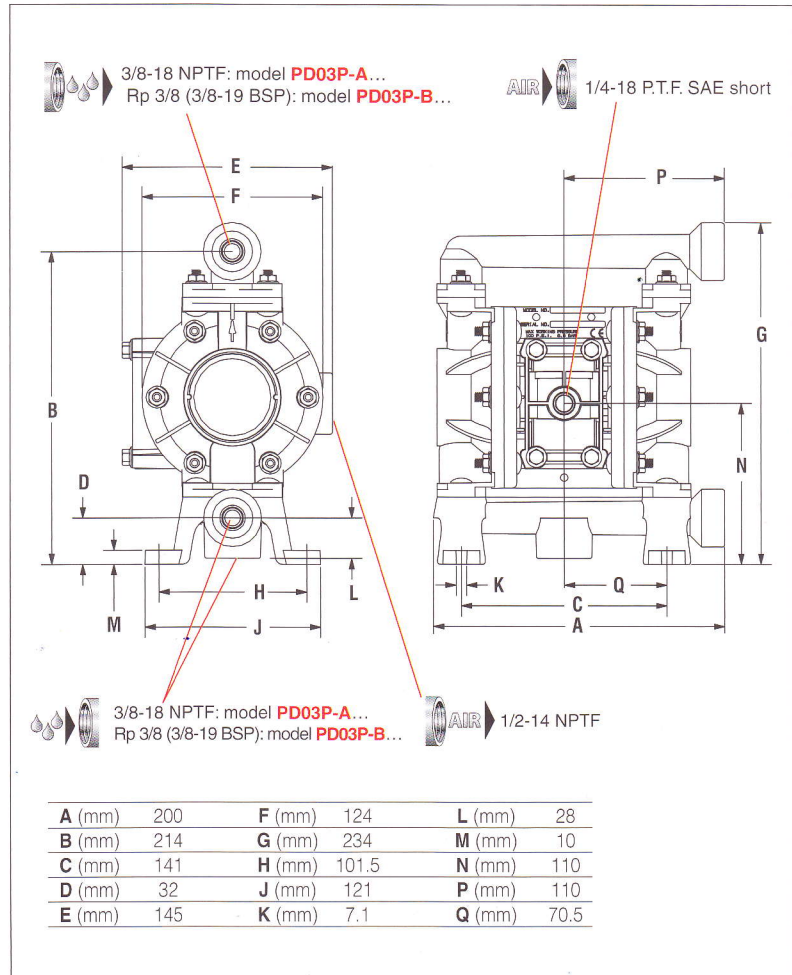
Air consumption in liters/sec • Consommation d'air en litres/seconde
Consumo de aire en litros/segundo • Consumo d'aria in litri/sec



Dimensions • Dimensiones • Dimensioni

Specifications - Especificaciones - Caratteristiche

	1:1
	40.1 l/min
	0.083 litre
	6.9 bar (100 psi)
	1.6 mm
	2.60 m
	PD03P-XDS.... 1.89 kg PD03P-XES.... 1.93 kg PD03P-XKS.... 2.04 kg PD03P-XLS.... 2.10 kg PD03P-XPS.... 1.56 kg PD03P-XRS.... 1.59 kg



A (mm)	200	F (mm)	124	L (mm)	28
B (mm)	214	G (mm)	234	M (mm)	10
C (mm)	141	H (mm)	101.5	N (mm)	110
D (mm)	32	J (mm)	121	P (mm)	110
E (mm)	145	K (mm)	7.1	Q (mm)	70.5