

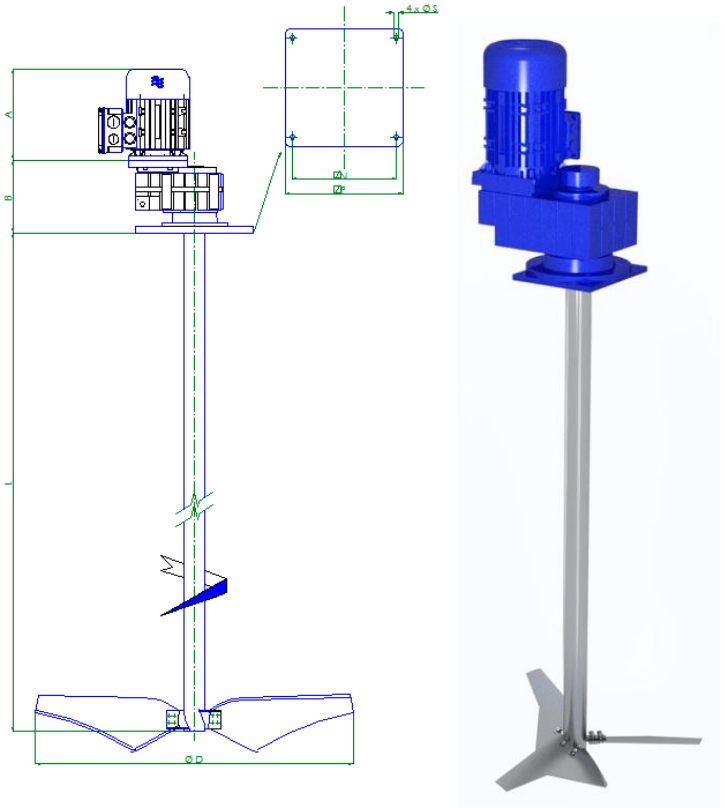
VPT3 mixers have three blades axial profile T type. They are suitable for big tanks, and can be optionally equipped with a lantern and any type of sealing, like stuffing box, dry or refrigerated mechanical seals, hydraulic labyrinth, etc. The VPT are custom made mixers, and each of them is studied and designed for their specific application. Reducer gears may be helical gears type, or parallel shaft. Longer than 6 meter shafts may be executed in two or more pieces. VPT mixers can have two or more propellers on the shaft. Flow direction and turning sense can be chosen.

Main features:

- For big tanks.
- Motor power: 0,55 kW to 45 kW.
- Running speed 30 to 150 rpm.
- 3 blades axial profile T type, diameters 800 to 4000 mm.
- Shaft length up to 12000 mm.
- Shaft and propeller AISI 316, AISI 304, carbon steel, rubber coated, special alloys.

Optional extras:

- AISI 316 or coated plate with oil seal.
- Food industry execution, polished.
- ATEX motors.
- DIN or ANSI flanges.
- Lantern with sealing: stuffing box, mechanical seal, hydraulic labyrinth.
- Cooled fixation plate.



VPT3 mixer with parallel shaft gear.

| Model | Power kW  | Speed rpm | A | B | C | D | L | N | P | S | Weight Kg |
|-------|---|-----------|---|---|---|---|---|---|---|---|-----------|
| VPT3- | Data according to specific requirements of each application . |           |   |   |   |   |   |   |   |   |           |
| VPT3- |   |           |   |   |   |   |   |   |   |   |           |

Dimensions in [mm].

Due to our policy of constant improvement, shown values can be changed.