

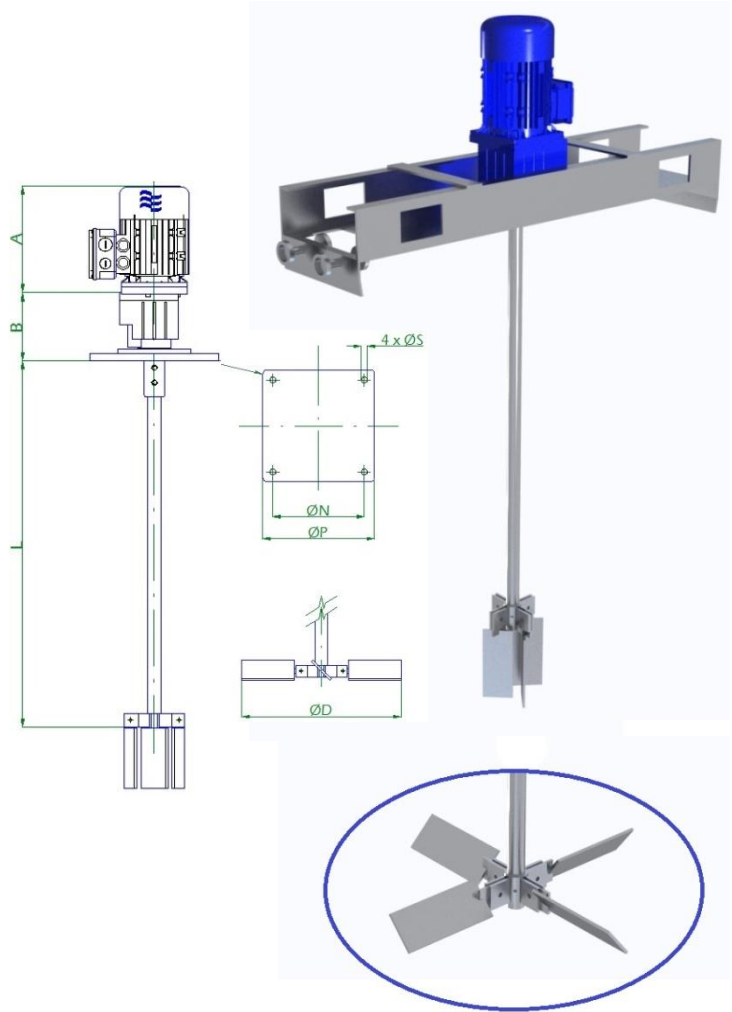
The main characteristic of VTA4 mixers is their four foldable blades axial turbine. Axial turbine has a high power input ratio, and achieves a strong mixing effect in tanks from 1 to 4 m<sup>3</sup> volume. Standard running speeds are 100 to 150 rpm. Thanks to their life greased reducer gear it is a friendly maintenance machine just to connect and run. VTA4 mixers can be equipped with more than one single turbine.

Main features:

- For tanks 4 – 15 m<sup>3</sup>.
- Motor power: 0,37 kW to 2,2 kW.
- Running speed 75 to 150 rpm.
- 4 foldable blades axial turbine.
- Shaft and propeller AISI 316.
- Optional support for IBC/GRG tanks.

Optional extras:

- AISI 316 or PVC plate with oil seal.
- Food industry execution, polished.
- ATEX motors.
- DIN or ANSI flanges.



Modelo	Motor kW	rpm	A	B	D	L Max.	N	P	S	Kg	Vol. * m <sup>3</sup>
VTA4-03 03 B 00	0,37	126	207	204	400	800	160	200	22	22	1-2
VTS4-05 03 B 00	0,75	125	207	234	400	800	210	250	22	28	2-4
VTA4-	Data according to specific requirements of each application .										
VTA4-											

Dimensions in [mm].

(\* ) Tank volumes only for guidance.

Due to our policy of constant improvement, shown values can be changed.