



ADVANTAGES

- **Accidentally dry run capability** with carbon impeller bearing
- Energy saving

FEATURES

- Seal less magnetic drive coupling
- Tmax exercise: PP 80°C - PVDF 98°C
- Connections:
 - socket union for rigid piping connection with PP, PVC, PVDF union ends choice
 - hose barb for hose connetcions
 - flanged

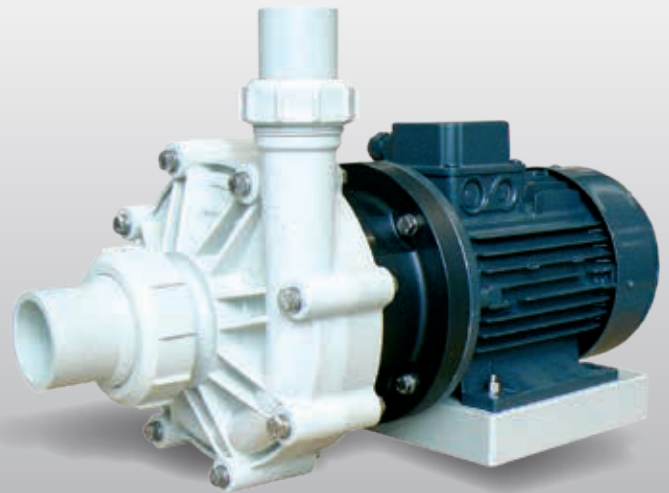
APPLICATION FIELDS

- Acid and alkaline soutions with minimal solid suspended particles
- Electroplating, Chemical and PCB industry

SPECIFICATIONS

	Flow Rate max (l/min.)	Head max (m)	Motor (kw)	IN/OUT D (mm)	T max (°C)	Weight* (kg)
50 Hz	400	21	1,50	63 x 40	PP: 80	PP: 23,00
60 Hz	420	21	1,50	63 x 40	PVDF: 98	PVDF: 26,00

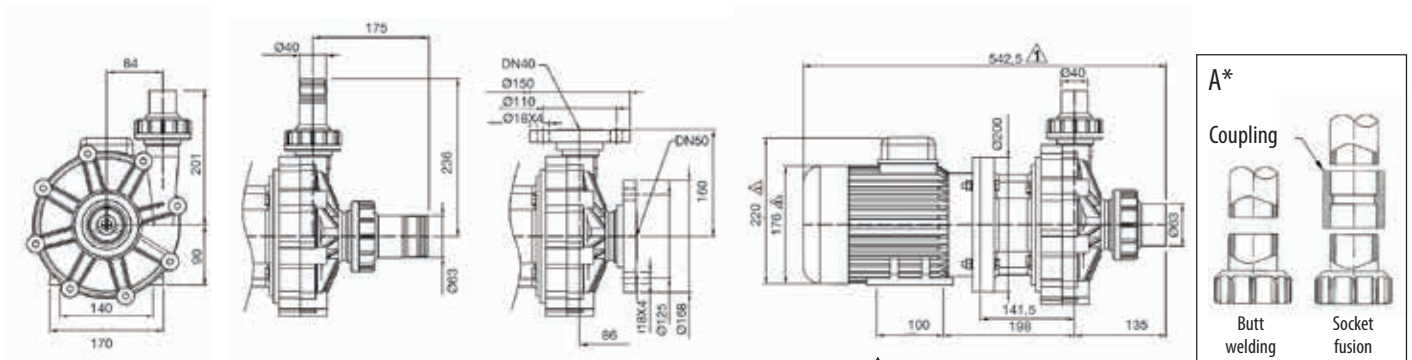
* It depends on the motor



CONNECTION B
for flexibles hoses

CONNECTION C
flanged

CONNECTION A*
for rigid piping



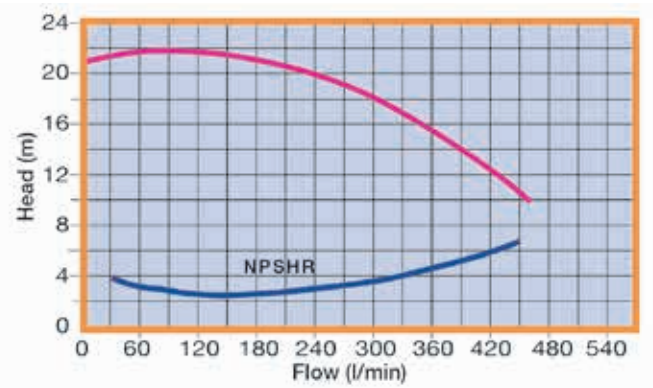
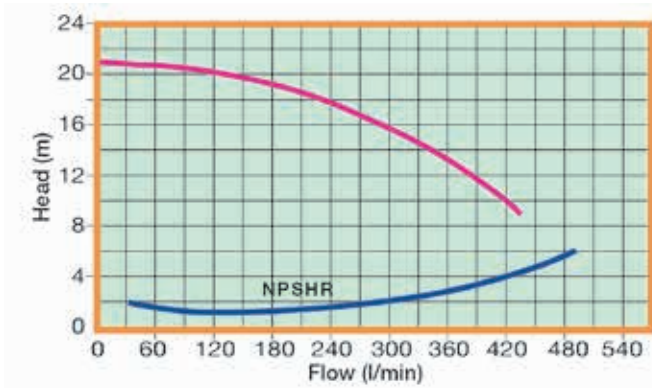
△ It changes according with motor supplier

PUMP IDENTIFICATION							
Model	Pump body	Impeller	Shaft	Impeller bearing	O-Ring	Connections	Motor / rpm
EVT 25	P = PP F = PVDF	P = PP F = PVDF	C = Ceramic S = SIC	T = PTFE G = Carbon C = Ceramic	E = EPDM V = Viton	B = Socket union F = Flanged P = Hosebarb	A = 50 Hz / 2800 B = 60 Hz / 3400
EVT 25	P	P	C	G	E	B	A

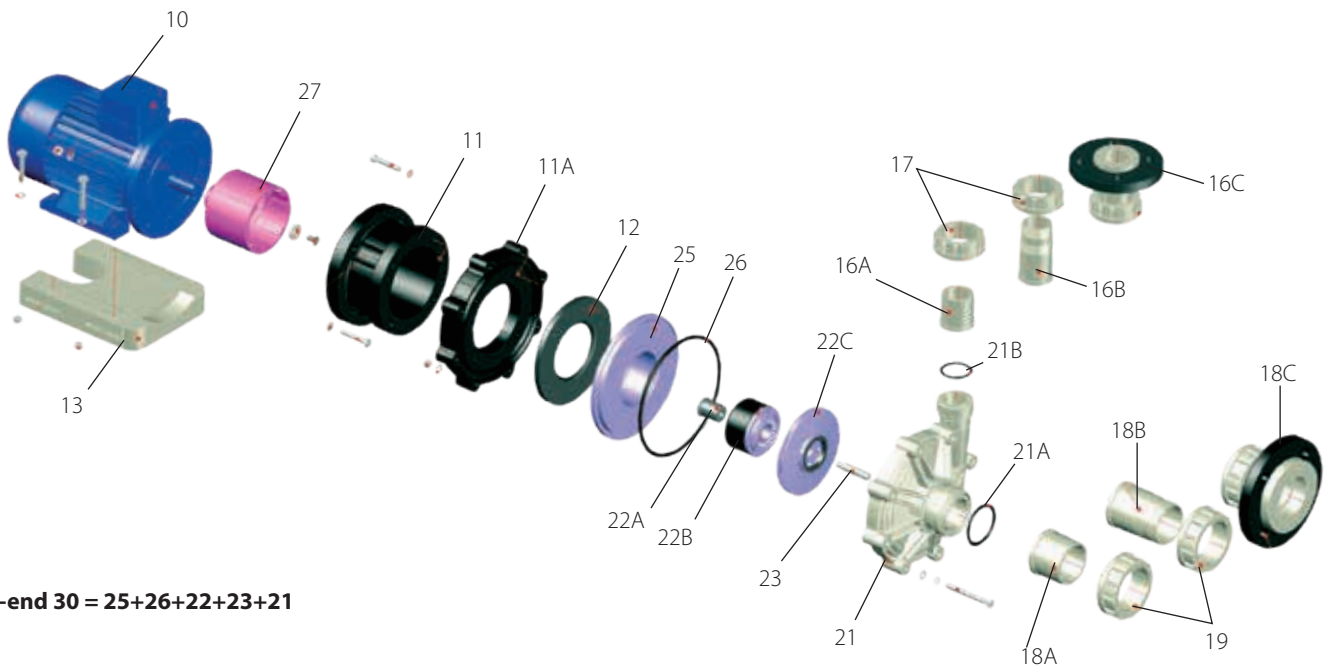
EVT - Pumps have dry run accidentally capability when equipped with carbon impeller bearing

Performance Curve 50 Hz - Rpm 2800

Performance Curve 60 Hz - Rpm 3400



Curves referr to water T = 20°C



Wet-end 30 = 25+26+22+23+21

- | | | |
|----------------------------|--------------------------|------------------------|
| 10 Motor | 17 Discharge nut | 22 Impeller assembly |
| 11 Bracket | 18A Rigid piping suction | 22A Impeller bearing |
| 11A Flange Bracket | 18B Suction hosebarb | 22B Impeller magnet |
| 12 Centering ring | 18C Suction flange | 22C impeller |
| 13 Base plate | 19 Suction nut | 23 Shaft |
| 16A Rigid piping discharge | 21 Pump housing | 25 Rear casing |
| 16B Discharge hosebarb | 21A Suction O-Ring | 26 Pump housing O-Ring |
| 16C Discharge flange | 21B Discharge O-Ring | 27 Drive magnet |

LAFONTE.EU may modify data any time, without notice, in order to get product enhancement