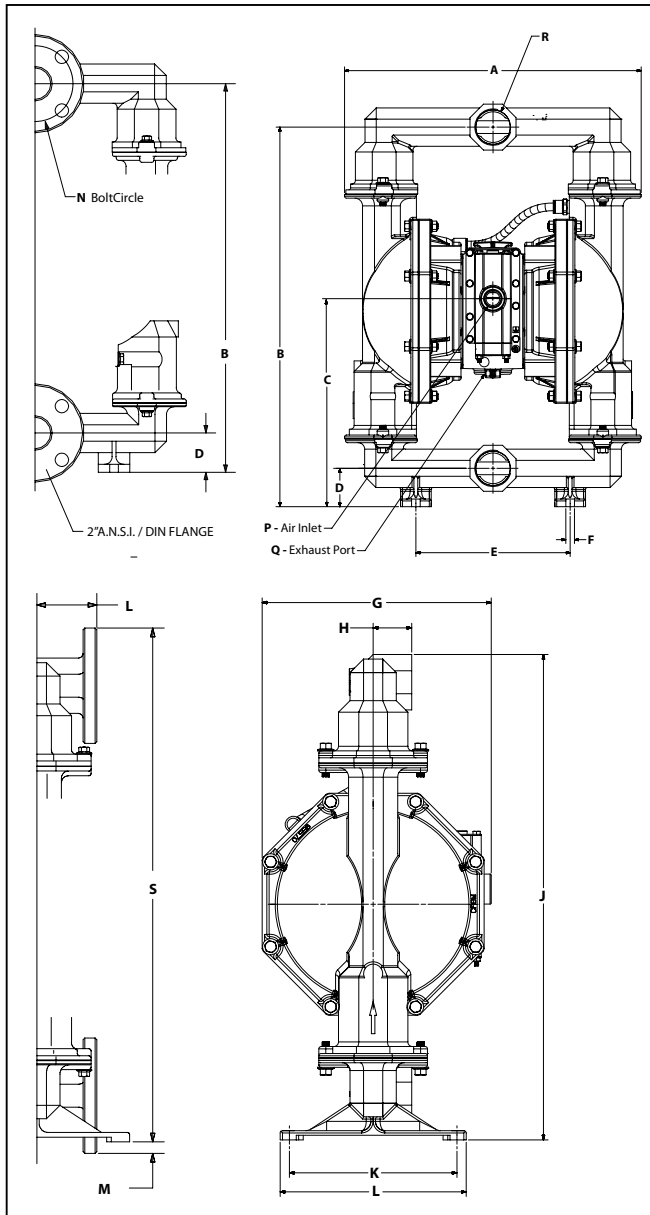


## PH20F-XXX-XXX-X 2" Metallic Diaphragm Pump

### DIMENSIONAL DATA



#### DIMENSIONS

A - 19.341" (491.3 mm)	E - 10.062" (255.6 mm)
B - 24.75" (628.7 mm)	F - 4 x (.562) slot (14.3 mm)
C - 15.473" (393 mm)	G - 12.000" (304.8 mm)
D - 2.500" (63.5 mm)	H - 2 x (2.088)
J - 22.250" (565.2 mm)	P - 3/4 - 14 NPTF-1
K - 9.062" (230.2 mm)	Q - 1-1/2 - 11-1/2 N.P.T
L - 10.062" (255.6 mm)	S - 27.875" (708.025 mm)
M - 0.600" (15.9 mm)	

NOTE: Dimensions are shown in inches and (mm) and are supplied for reference only.

#### "R" Inlet / Outlet

PH20F- <u>ASX</u> -SXX-BXXX	2-11 1/2 NPTF- 1
PH20F- <u>BSX</u> -SXX-BXXX	Rp 2 (2 - 11 BSP parallel)

### SPECIFICATIONS

<b>Model Series</b> .....	PH20F-XXX-XXX-X
<b>Pump Type</b> .....	Metallic, air operated, double diaphragm pump
<b>Ratio</b> .....	2:1
<b>Material Inlet / Outlet (female)</b>	
PH20F- <u>ASX</u> -SXX-BXXX .....	2 - 11-1/2 NPTF - 1
PH20F- <u>BSX</u> -SXX-BXXX .....	Rp 2 (2 - 11 BSP parallel)
PH20F- <u>FSX</u> -SXX-BXXX .....	2" ANSI / DIN Flange
<b>Air Inlet (female)</b> .....	3/4 - 14 NPTF -1
<b>Air Exhaust (female)</b> .....	1-1/2 - 11-1/2 N.P.T.
<b>Weight</b> ....	146 lbs (66.2 kgs)
<b>Air Section Service Kit</b> .....	637369
<b>Fluid Section Service Kit</b> .....	637446-XX

#### PH20F - ASP-S-X-X

637446 -X

Diaphragm Material  
Ball Material

EXAMPLE: Model ##PH20F-ASP-SAA-X  
Fluid Section Service Kit # 637446-XX

### PERFORMANCE

<b>Air Inlet Pressure Range</b> .....	10 - 100 p.s.i.g. (0.69 - 8.3 bar)
<b>Maximum Material Inlet Pressure</b> ...	10 p.s.i.g. (0.69 bar)
<b>Fluid Pressure Range</b> .....	20 - 200 p.s.i.g. (1.38 - 13.8 bar)
<b>Maximum Flow Rate (flooded inlet)</b> ...	92 g.p.m. (418.2 l.p.m.)
<b>Displacement / Cycle @ 100 p.s.i.</b> ...	1.28 gal. (4.8 lit.)
<b>Maximum Particle Size</b> .....	1/4" dia. (6.4 mm)
<b>Maximum Temperature Limits (diaphragm / ball / seal / seat material)</b>	
E.P.R. / EPDM .....	-60° to 280° F (-51° to 138° C)
Hytre <sup>®</sup> .....	-20° to 150° F (-29° to 66° C)
Polypropylene .....	35° to 175° F (2° to 79° C)
Santoprene <sup>®</sup> .....	-40° to 225° F (-40° to 107° C)
PTFE .....	40° to 225° F (4° to 107° C)
Viton <sup>®</sup> .....	-40° to 350° F (-40° to 177° C)
<b>Noise Level @ 70 p.s.i. - 53 c.p.m.</b> ① ...	77.0 db(A)②

① Tested with 67263 muffler assembly installed.

② The pump sound pressure level has been updated to an Equivalent Continuous Sound Level (L<sub>Aeq</sub>) to meet the intent of ANSI S1.13-1971, CAGI-PNEUROPS S5.1 using four microphone locations.

# PERFORMANCE CURVES

