



**SERFILCO®**  
INTERNATIONAL

## SERIES 'EO' $\frac{3}{4}$ VERTICAL PUMPS

BULLETIN  
P-312  $\frac{3}{4}$ -  
international  
July 2011

**HIGH EFFICIENCY AND LOW ENERGY  
USAGE FOR:**

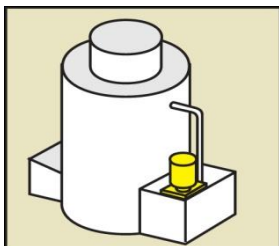


**PLATING / WET PROCESSING / ACIDS  
CHEMICALS / FUME SCRUBBERS and  
CLEANING SOLUTIONS**

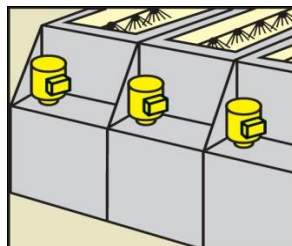
- Flows to 70 LPM or 5m TDH @ 50 Hz, 22 U.S GPM or 24 FT. TDH @ 60 Hz
- **Non-metallic solution contact**  
-PP high temperature polypropylene construction, CPVC or PVDF
- **Shaft vapour seal protects motor bearing**
- **Runs dry – no bearings**
- **Chemical duty motor (0.09 kw)**
- **Centrifugal – quiet, vibration-free**
- **In or Out-of-tank installation**
- **NPT connections**

The series 'EO' Sump Pump features cantilevered, sleeved, stainless steel shaft with vapour seal between the rotating shaft and the support column to further protect the motor. The cantilevered shaft eliminates bearings and conventional pump seals resulting in a pump that can run dry without damage. A compound impeller prevents liquid from rising in the column, even at maximum TDH, while the fully – enclosed bottom impeller provides high hydraulic efficiency at low horsepower.

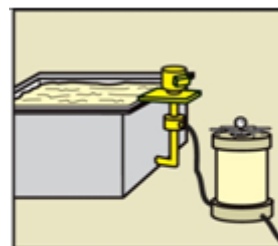
A unique characteristic of all Series 'EO' pumps is their ability to lift solution with an optional suction extension pipe installed. With the motor energised, the pump will self-prime when liquid is at impeller level. The solution level will then be pumped down to the end of the suction extension to a maximum depth of 2.7m (9ft). The pump will lose prime, then automatically re-prime when liquid again reaches the impeller.



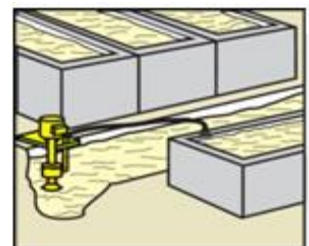
FUME SCRUBBING



PCB WET PROCESSING

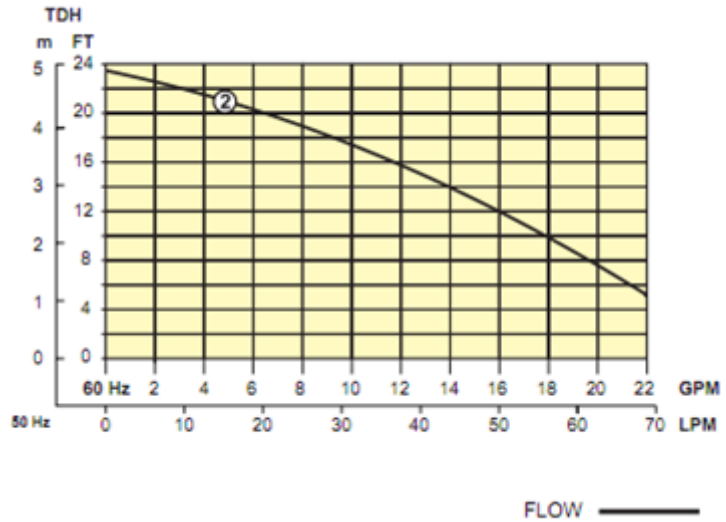
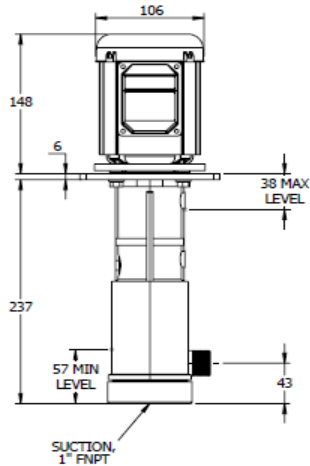
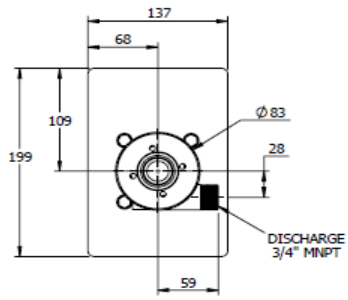


OUT-OF-TANK PUMPING  
and FILTRATION



SUMP DRAINING and  
WASTE TREATMENT

**Model EO ¾**



**TO ORDER, use Price Code**

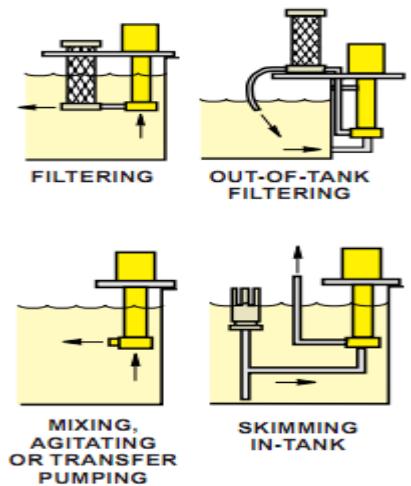
MATERIAL	MODEL	1/8 HP MOTOR VOLTAGE	CONNECTIONS		PRICE CODE NUMBER
			SUCTION	DISCHARGE	
PP, EPDM	EO3/4PPL2-C1/8	115-230/1/50-60 TEFC ,MOTOR WITH 8FT. CORD AND 3 PRONG PLUG	1" F NPT	¾" M NPT	39-0112B
CPVC, EPDM	EO3/4CL2-C1/8				39-0212B
PVDF, Viton	EO3/4KV2-C1/8				39-0322B

**OPTIONAL**

DESCRIPTION	ADD SUFFIX TO MODEL	ADD TO PRICE CODE NO.
Through Hole in standard mounting plate	-MPH	X

DESCRIPTION	ADD SUFFIX TO MODEL	MATERIAL	PRICE CODE NO.
Suction Strainer assembly	-ST	PVDF & ECTFE	33-6058-PP 45-02541
Suction extension, 18" (457mm)	-SX	PP CPVC PVDF	45-0274 45-0208 45-0230
Discharge pipe assembly	-DPA	PP CPVC PVDF	39-1006-PP 39-1006-C 39-1006-K

**TYPICAL APPLICATIONS**



**SERFILCO® INTERNATIONAL**

Siemens Road, Northbank Industrial Estate  
Irlam, Manchester  
M44 5AH UK  
Email : sales@serfilco-international.com

Tel: +44 161 775 1910  
Fax: +44 161 775 3696  
Web: www.serfilco.com